

2/2-way electric valve – type EKWV

with electric actuator STV

Technical data sheet



Product description



Automatic valve in stainless steel with floating precision ball. The valve is electric operated and is characterised by long service life and high operational safety.

Technical data 2/2-way ball-valve

Technical data	
Nominal size	DN15 – DN100
Connection	between flanges acc. DIN EN 1092
Mounting position	any orientation, but not upside-down
Nominal pressure	DN 15 – 50, DN 80: PN 40 DN 65, DN 100: PN 16
Operating pressure	see pressure-temperature-diagram
Temperature range	- 20° C to 180° C
Materials	casing: stainless steel AISI 316 (1.4408) ball: stainless steel AISI 316 (1.4401) stem: stainless steel AISI 316 (1.4401) ball seal: PTFE stem seal: PTFE
Flow materials	neutral gases and fluids (other mediums upon request)
Flow direction	any direction

Technical data actuator ER Premier/ER Plus

Technical data	
Voltage	ER Premier 100-240V AC (100-350V DC) or 24V AC/DC ER Plus 100-240V AC (100-350V DC) or 15-30V AC (12-48V DC)
Protection class	ER Premier IP65, ER Plus IP66
Ambiant temperature	-10° C to +55° C
Duty rating	30% ER Premier, 50% ER Plus
Elektric connection	1 cable screw ISO M20, 1 cable box 3P + T DIN43650
Interface	EN ISO 5211

Product features

- full bore
- maintenance-free
- blow-out secure shaft
- optic and electronic limit switch enclosed with the delivery by standard
- manual override inclusive
- electric torque limit
- applications also in vacuum and high flow speeds
- alternatively also with pneumatic actuation, manual lever or gear-driven available

Special versions

- versions with actuator series STV-VR and STV-VS
- failsafe-type
- positioner-type
- ATEX type

Please contact us for technical information.

Pressure-temperature-diagram

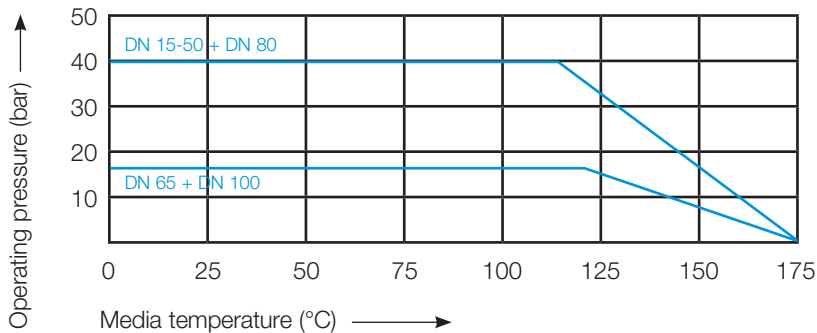
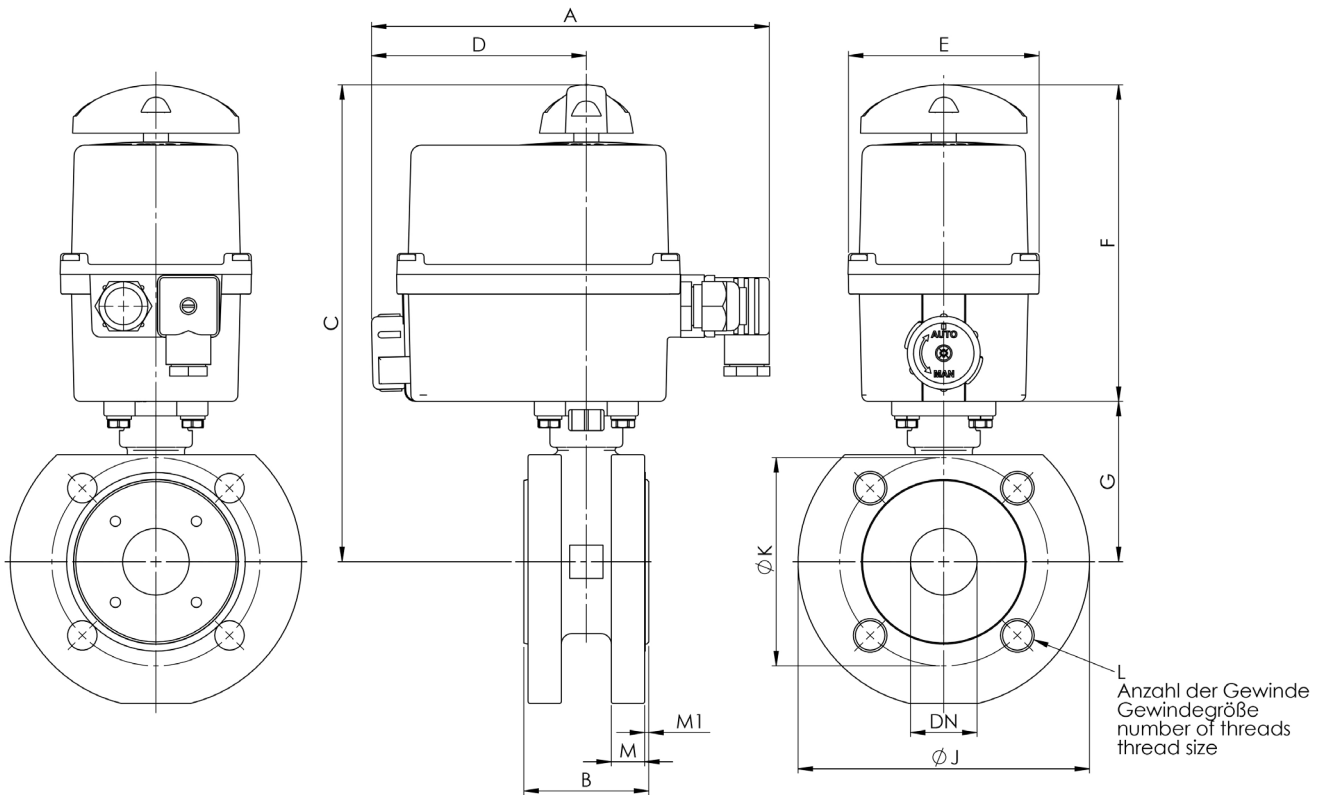


Table of dimensions

Rp	DN	Actuator size	A	B	C	D	E	F	G	øJ	øK	L	M/M1	Weight (kg)
1/2"	15	ER10	191	41	201	103	92	152	49	81	65	4 x M12	16 / 2	2,67
3/4"	20	ER20	191	44	206	103	92	152	54	99	75	4 x M12	18 / 2	3,37
1/0"	25	ER35	191	50	217	103	92	152	65	115	85	4 x M12	18 / 2	4,08
5/4"	32	ER35	191	60	229	103	92	152	77	140	100	4 x M16	18 / 2	5,56
3/2"	40	ER60	205	65	299	106	128	176	86	150	110	4 x M16	18 / 3	7,87
2/0"	50	ER60	205	80	269	106	128	176	93	165	125	4 x M16	20 / 3	9,00
5/2"	65	ER100	205	110	286	106	128	176	110	185	145	4 x M16	22 / 3	14,00
3/0"	80	ER100	205	120	296	106	128	176	120	200	160	8 x M16	24 / 3	16,86

Dimensions



Ordering code

EKWV-	1/0-	025-	ER20-X0A-M00-90-240V AC/DC
	Connection size in inch	Nominal size	Actuator identification (M00 = ER Premier, G00 = ER Plus)

The descriptions and photographs contained in this product specification sheet are supplied by way of information only and are not binding. bar GmbH reserves the right to carry out any technical and design improvements to its products without prior notice.

Warranty: All sales and contracts for sale are expressly conditioned on the buyer's assent to bar GmbH terms and conditions found on its website at www.bar-gmbh.de. bar GmbH hereby objects to any term, different from or additional to bar GmbH terms, contained in any buyer communication in any form, unless agreed to in a writing signed by an officer of bar GmbH.

bar
A WATTS Brand

bar pneumatische Steuerungssysteme GmbH
Auf der Hohl 1 • 53547 Dattenberg • Germany
Tel. +49 (0) 2644 96070 • Fax +49 (0) 2644 960735
bar-info@wattswater.com • www.bar-gmbh.de