

# Compact ball valve with flange – Type MKW

## Product description

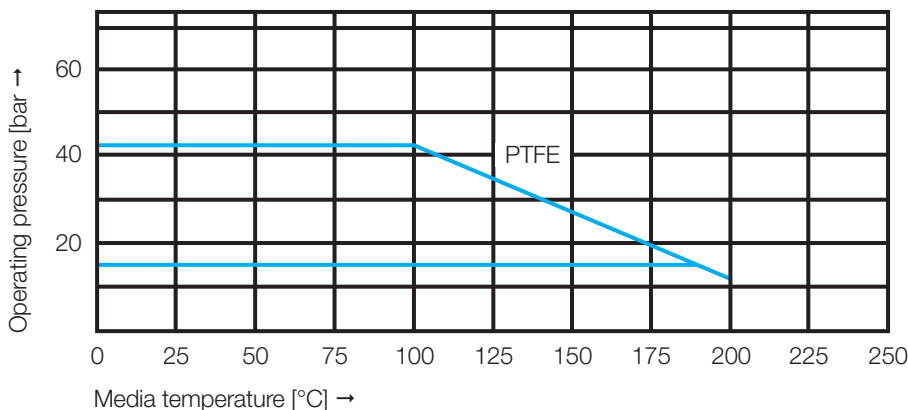


Valve in stainless steel with floating precision ball. The valve is characterised by long service life and high operational safety.

## Technical data ball valve

Technical data	
Nominal size	DN 15 – DN 100
Conneciton	flange acc. to DIN EN 1092, ANSI 150 on demand
Mouting position	random
Nominal pressure	DN 15 – 50 = PN 40 DN 65 – 100 = PN 16
Operating pressure	see pressure-temperature diagram
Temperature range	-20 °C to 200 °C
Materials	Housing, ball: stainl. steel AISI 316 (1.4408) Stem, antistatic ring: stainl. steel AISI 316 (1.4401) Stem seal, aafety disk, seat, ball seal: PTFE Hand lever: stainl. steel AISI 304 (1.4301) with PVC-cover
Flow material	neutral gases and fluids (further mediums on request)
Flow direction	random

## Pressure-temperature-diagram



## Product features

- Full bore
- Maintenance-free
- Blow-out secure shaft
- Application also in vacuum and high flow speeds
- Interface acc. to EN ISO 5211

## Special versions

On demand.

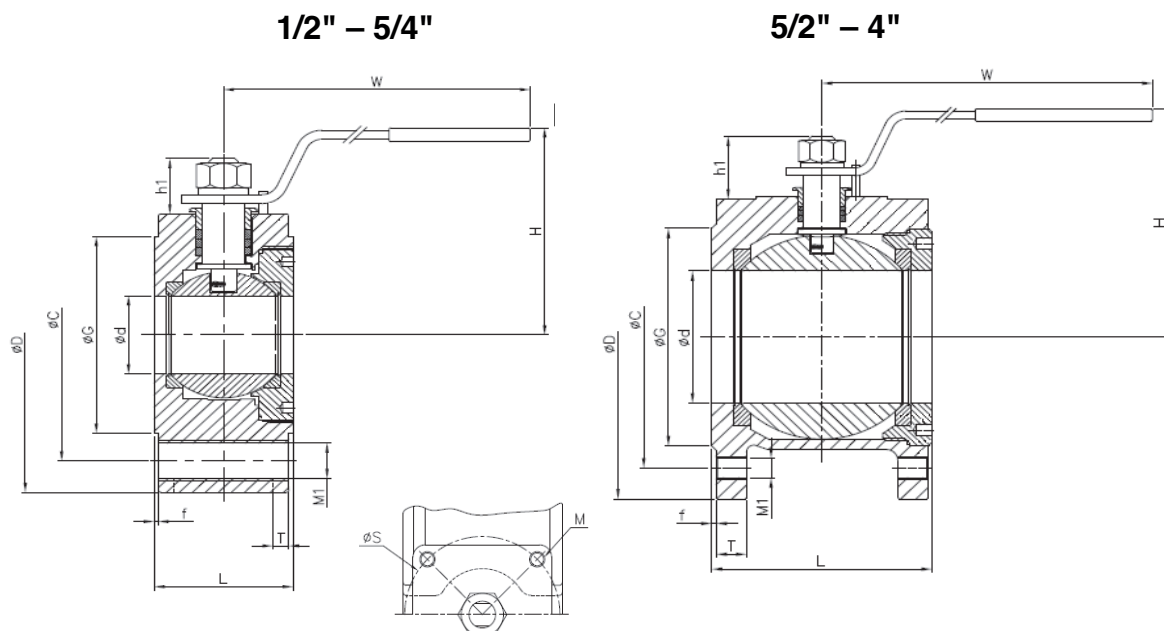
## Table of dimensions

PN	DN	Rp	d (mm)	D (mm)	G (mm)	C (mm)	n*M1	L (mm)	M	S (mm)	W (mm)	T (mm)	f (mm)	h1 (mm)	H (mm)	Weight (kg)
PN 40	15	1/2"	15	88	45	65	4xM12	36	M5	36	150	6	1	21,7	70	1,28
PN 40	20	3/4"	20	98	58	75	4xM12	38	M5	36	150	6	1	22	70	1,61
PN 40	25	1/0"	25	108	68	85	4xM12	43	M5	36	150	7	1	25	80	2,04
PN 40	32	5/4"	32	128	78	100	4xM16	51	M5	36	156	7	1,5	28	87	3,25
PN 40	40	3/2"	38	150	88	110	4xM16	63	M6	50	180	13	1,5	29	102	4,62
PN 40	50	2/0"	50	165	102	125	4xM16	70	M6	50	180	14	1,5	29	108	6,60
PN 16	65	5/4"	65	186	123	145	4xM16	107	M8	70	282	13,5	1,5	41	143	9,50
PN 16	80	3/0"	76	200	138	160	8xM16	120	M8	70	290	15	2	40	152	12,50
PN 16	100	4/0"	96	220	158	180	8xM16	152	M10	102	325	17	2,5	40	168	19,20

## Ordering code

<b>MKW-</b>	<b>1/2-</b>	<b>015</b>
	Connection size in inch	Nominal size

## Dimensions



---

The descriptions and photographs contained in this product specification sheet are supplied by way of information only and are not binding.

Watts Industries reserves the right to carry out any technical and design improvements to its products without prior notice."

Warranty: All sales and contracts for sale are expressly conditioned on the buyer's assent to Watts terms and conditions found on its website at [www.wattsindustries.com](http://www.wattsindustries.com)

Watts hereby objects to any term, different from or additional to Watts terms, contained in any buyer communication in any form, unless agreed to in a writing signed by an officer of Watts.

---

**bar**  
A **WATTS** Brand

---

**bar pneumatische Steuerungssysteme GmbH**  
Auf der Hohl 1 • 53547 Dattenberg • Germany  
Tel. +49 (0) 2644 96070 • Fax +49 (0) 2644 960735  
[bar-info@wattswater.com](mailto:bar-info@wattswater.com) • [www.bar-gmbh.de](http://www.bar-gmbh.de)