

Manual override gear for bar-actuators type HNG

for double-acting and single-acting actuators

Technical data sheet



Product description



With the emergency hand actuator type HNG, automatic valves with double-acting and single-acting actuators can be manually operated at any time.

In the case of failure in the compressed air or electricity supply the actuator can be operated between the end positions by means of a disengageable worm drive with hand wheel.

A mounting kit between actuator and valve does not belong to the delivery package of the emergency manual override gear and is to be ordered separately.

Technical data

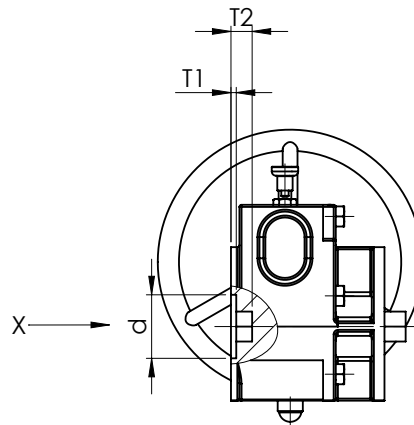
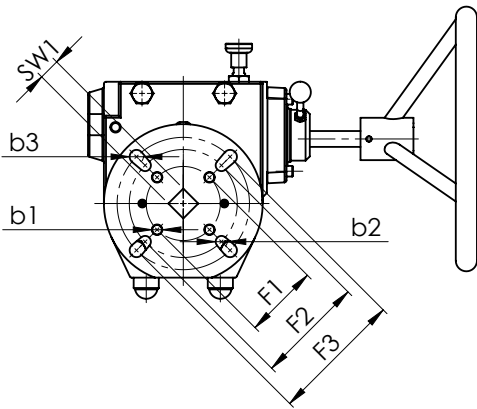
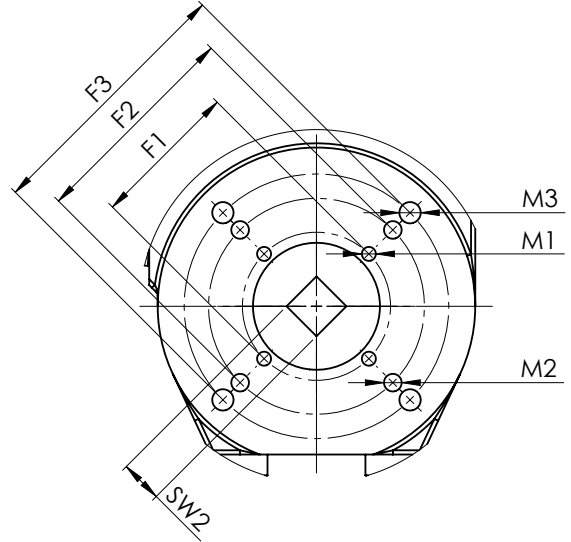
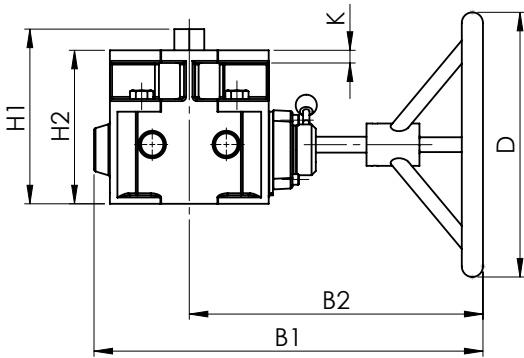
Technical data	
Type	Self-braking worm drive with disengageable worm, Situated between valve and actuator
Sizes	6 versions
Pivoting angle	90°
Transmittable torques	prepared for actuator controlling pressure from 3 to 6 bar, for 30 to 4.600 Nm
Control pressure	3 to 6 bar
Gear materials casing hand wheel segment	GG25, painted steel, welded and powder-coated GGG40
Temperature range	-20 °C bis +120 °C
Protection type	IP65
Usage conditions	in compliance with the technical data for standard actuators
Extra options	for other actuators sizes, pivoting angles and controlling pressures

Dimension table

For actuator size	ø A	B1	B2	ø D	H1	H2	ISO F1 / ø d1	ISO F2 / ø d2	ISO F3 / ø d3	ISO G1 / ø e1	ISO G2 / ø e2	ISO G3 / ø e3	SW1	SW2	T1	T2	K
AD/AS-004 AD/AS-006 AD/AS-008 GD/GS-063	42	295	216	200	140	122	F05 / ø 7	F07 / ø 9	/	F05 / M6	F07 / M8	F10 / M10	14	14	1	46	10
AD/AS-011 AD/AS-018 GD/GS-075 GD/GS-083 GD/GS-092	42	295	216	200	140	122	F05 / ø 7	F07 / ø 9	/	F05 / M6	F07 / M8	F10 / M10	17	17	1	46	10
AD/AS-026 AD/AS-037 AD/AS-050 GD/GS-105 GD/GS-125	60	365	275	250	168	145	F07 / ø 9	F10 / ø 11	F12 / ø 13	F07 / M8	F10 / M10	F12 / M12	22	22	4	60	12
AD/AS-076 AD/AS-110 AD/AS-160 GD/GS-140 GD/GS-160	75	416	306	500	190	162	F10 / ø 11	F12 / ø 13	/	F10 / M10	F12 / M12	/	27	27	4	69	13
AD/AS-230 GD/GS-190 GD/GS-210	75	416	306	500	190	162	/	/	F14 / ø 17	F10 / M10	F12 / M12	/	36	27	4	69	13
AD/AS-360 AD/AS-520 GD/GS-240 GD/GS-270 GD/GS-300	102	484	356	600	241	194	F14 / ø 17	F16 / ø 22	/	F12 / M12	F16 / M20	/	46	46	7	97	15
AD/AS-800 GD/GS-350 GD/GS-400	130	638	478	800	265	209	F16 / ø 22	F25 / ø 17	/	F16 / M20	F25 / M16	/	55	55	6	118	15

Drawing

View X 2 : 5



The descriptions and photographs contained in this product specification sheet are supplied by way of information only and are not binding.
 bar GmbH reserves the right to carry out any technical and design improvements to its products without prior notice.
 Warranty: All sales and contracts for sale are expressly conditioned on the buyer's assent to bar GmbH terms and conditions found on its website at www.bar-gmbh.de.
 bar GmbH hereby objects to any term, different from or additional to bar GmbH terms, contained in any buyer communication in any form,
 unless agreed to in a writing signed by an officer of bar GmbH.



bar pneumatische Steuerungssysteme GmbH
 Auf der Hohl 1 • 53547 Dattenberg • Germany
 Tel. +49 (0) 2644 96070 • Fax +49 (0) 2644 960735
bar-info@wattswater.com • www.bar-gmbh.de